

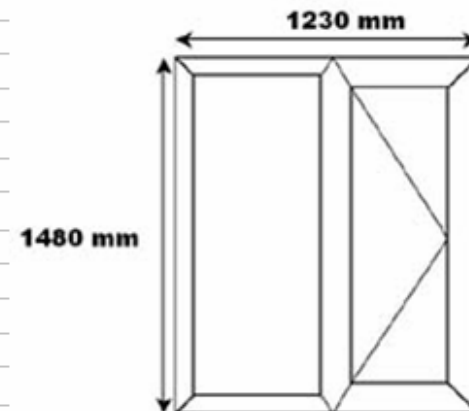
BFRC Energy Rating Calculation Spreadsheet



	Frame Dimensions		Thermal Conductivity		
	Projected Frame Height (mm)	Sight Line Height Worst Case (mm)	Insulation Panel		Glazed
			$U_{\text{frame+panel}}$	Panel Thickness (mm)	$U_{\text{frame+glass}}$
Fixed Outer Frame	50	50	1.0881	28	1.3228
Vent Frame (Vertical)	97	97	1.2129	28	1.4088
Vent Frame (Horizontal)	97	97	1.165	28	1.3603
Transom / Mullion	113	113	1.1844	28	1.4136

OVOLO SUITE
SLIM (50mm) OUTER FRAME
 4mm OPTIWHITE
 20mm ARGON
 4mm PLANITHERM TOTAL 1.1
 EDGETECH SUPER SPACER
17mm OVERLAP GLASS (+3mm)

Overall Window Dimensions (mm)		Glazing Properties	
Height	1480	U_g (Centre Pane Value)	1.19
Width	1230	Solar Heat Gain Coefficient (g_{glass})	0.68
		(Normal Value)	
Air Leakage Factor			
L_{50} value	0.1	(Must be obtained from relevant accredited test report)	



Results	Thermal Transmittance	Solar Factor	Effective Air Leakage
	U_{window} (W/m^2K)	g_{window} (Wm^2K)	L_{factor} (Wm^2K)
	1.4	0.44	0.00
	Energy Index	Energy Rating Band	
	1	A	